

Speaker

Model: OSS32-8031-15A2.0W8-C



ELECTRICAL SPECIFICATIONS

	Condition	Parameter	Unit
Sound Pressure Level	at 2.0W, 0.1M [at 1.0, 1.2, 1.5, 1.8KHz]	100 ± 3	dB
Impedance	at 1V, 1000Hz	8 ± 15%	Ω
Rated Input Power		2	W
Max Input Power		4	W
Resonant Frequency (Fo)	at 1V	550 ± 20%	Hz
Frequency Range		200 ~ 20000	Hz
Buzzer & Rattles	not be audible at sine wave between 200 ~20KHz	4	V
Operating Temperature		-30 ~ 70	°C
Magnet		Nd-Fe-B	
Frame Material		ABS	
Cone Material		Cloth	
Weight		24	g

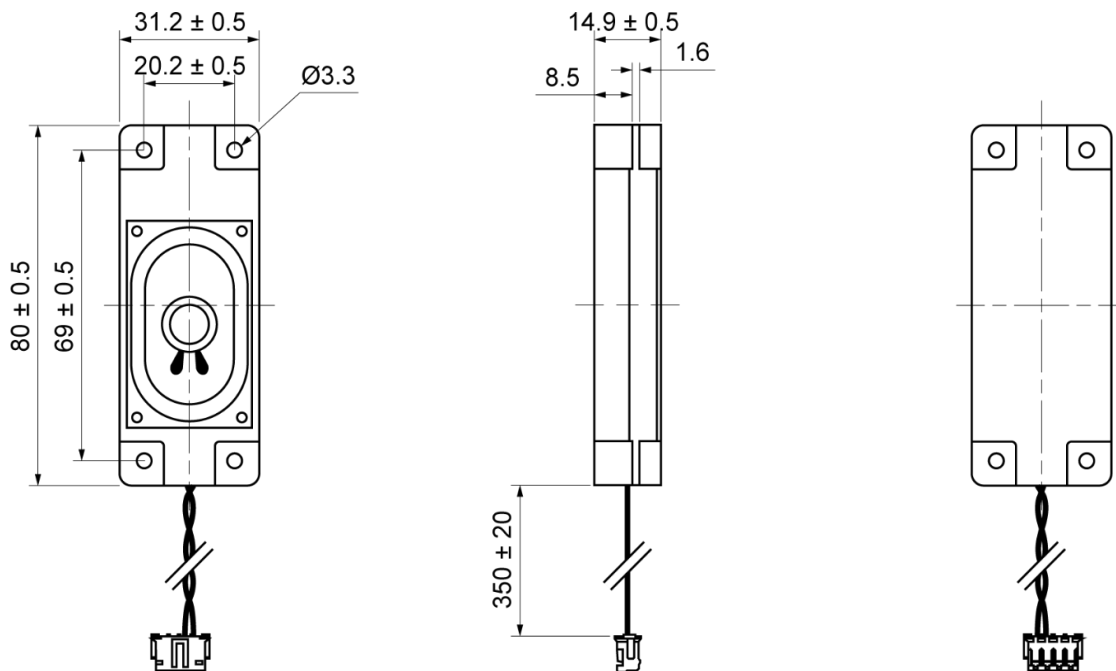
MECHANICAL DRAWING

Dimensions in mm

Wire: UL1061, 26#AWG

Tolerance ±0.5mm Except Specified

Connector: substitute JST-PHR-4

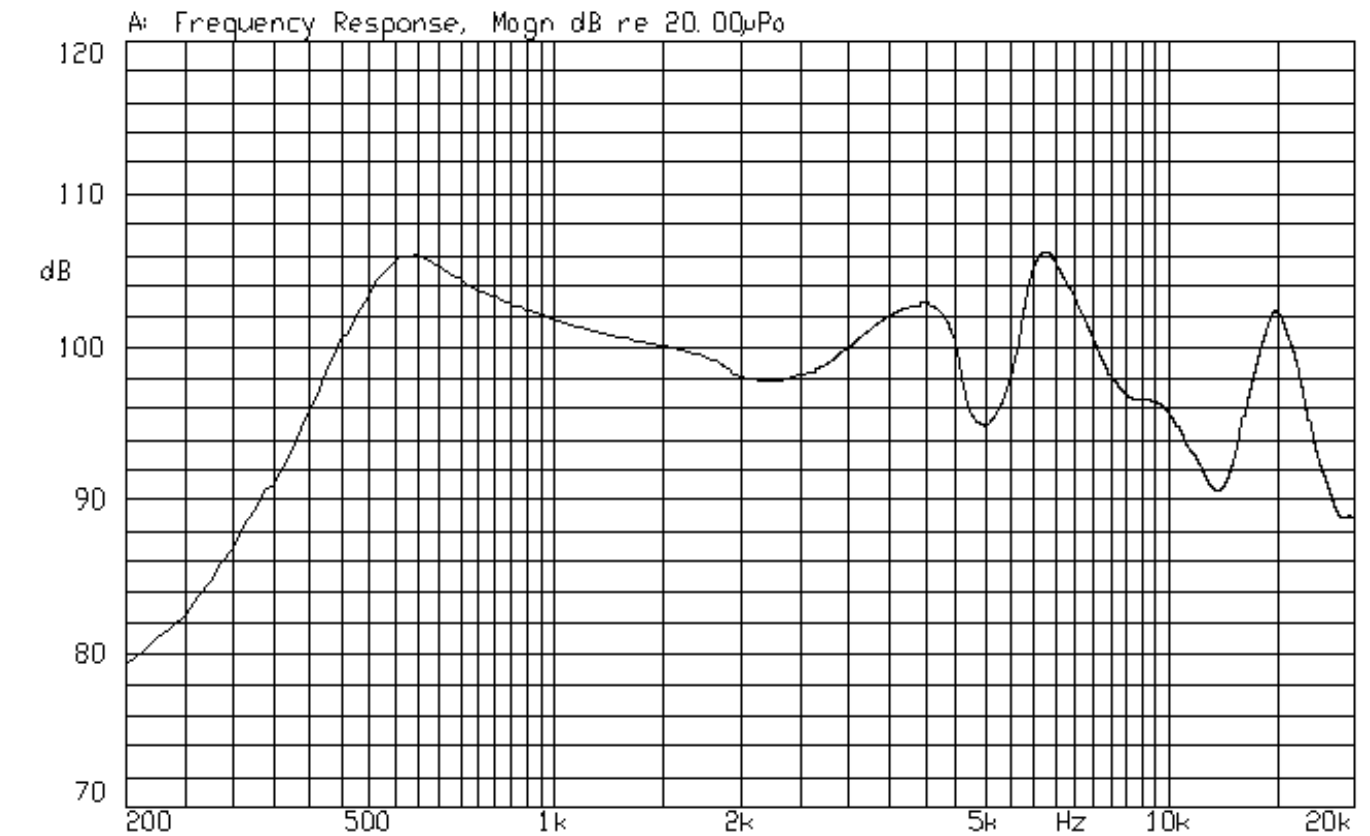


Speaker

Model: OSS32-8031-15A2.0W8-C

FREQUENCY RESPONSE CURVE

YGDA8031YX-02WC300 0.1m 2W 4V



30-JUL-2007 15: 50: 30

Mode: TSR

